



## F330 Fatigue Rated, High Stiffness, Low Range Loadcell, Circular Housing

The F330 low range loadcell has been developed to meet a growing need for high resolution, low range force measurement with minimal translational deflection.

The high stiffness of these loadcells, combined with their robust construction, lends themselves particularly well to dynamic and/or fatigue applications.

The minimum fatigue life of  $10^8$  fully reversed RL cycles can be greatly extended if the cycles occur below full rated load.

Both the F328 and F329 loadcell product types offer excellent performance but rely on a comparatively low stiffness strain mechanism. The F329 in particular requires a reduced output sensitivity in order to maintain some level of robustness. The F330 on the other hand offers some advantages over both and also benefits from a purely mechanical resistance to sideloads and vectors. Sideloads up to 25% RL can be withstood for as little as 2% RL error. Similarly, misalignment of up to  $3^\circ$  swept  $360^\circ$  around the measurement axis typically yields no more than 1% RL error.

The strain section within the housing is a separate monocoque structure, allowing repairs to be made quickly and cheaply in comparison to other low range loadcells. Other housing designs

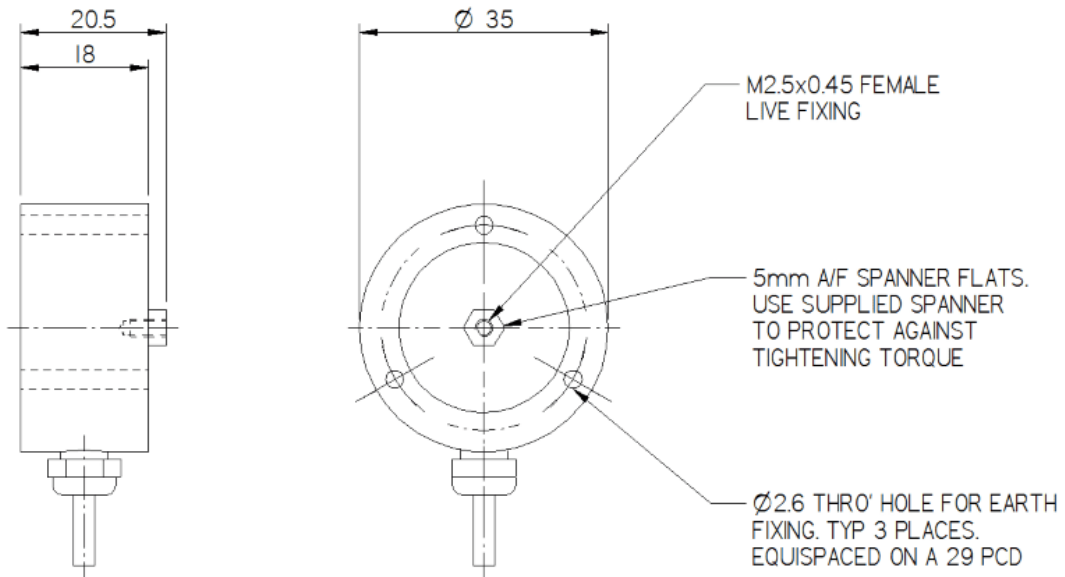
### Features

- ✓ High stiffness / Minimal deflection
- ✓ Deflection is 100% translational
- ✓ Resistant to sideloads and force vectors
- ✓ High thermal stability
- ✓ Fatigue rated
- ✓ Standard 1 year warranty

and fixing arrangements are therefore possible. The F331 offers the same ranges and performance in a rectangular housing.

We are happy to design variants of this loadcell to meet your specific requirements. Please consult our engineering department.

## Outline



## Specifications

Parameter	Value	Unit
Non-linearity - Terminal	±0.2	% RL
Hysteresis	±0.1	% RL
Creep - 20 minutes	±0.2	% AL
Repeatability	±0.02	% RL
Rated output - Nominal	0.6	mV/V
Rated output - Rationalised	0.5	mV/V
Rationalisation tolerance (applies to single direction calibrations)	±0.5	% RL
Output symmetry	±1.0	% AO
Fatigue Life	10 <sup>8</sup>	RL cycles
Zero load output	±10	% RL
Temperature effect on rated output per °C	±0.005	% AL
Temperature effect on zero load output per °C	±0.02	% RL
Temperature range - Compensated	-10 to +50	°C
Temperature range - Safe	-10 to +80	°C
Excitation voltage - Recommended	10	V
Excitation voltage - Maximum	10	V
Bridge resistance	350	Ω
Insulation resistance - Minimum at 50Vdc	500	MΩ
Overload - Safe	50	% RL
Overload - Ultimate	100	% RL
Weight - Nominal (excluding cable)	35	g

## Order Codes

Code	Description
F330CF00H0	Compression, unrationalised
F330TF00H0	Tension, unrationalised
F330UF00H0	Bi-directional, unrationalised
F330CF00HN	Compression, unrationalised
F330TF00HN	Tension, IP65, rationalised
F330UF00HN	Bi-directional, rationalised

## Structural Stiffness

Range (kN)	Stiffness (N/m)
0.5	$1.0 \times 10^5$
1	$2.0 \times 10^5$
2.5	$3.2 \times 10^5$
5	$5.0 \times 10^5$
10	$8.3 \times 10^5$
20	$1.3 \times 10^6$

## Notes

- AL = Applied load.
- RL = Rated load.
- Temperature coefficients apply over the compensated range.
- AO = Average of tension and compression outputs for full load.

## Connections

The loadcell is fitted with 2 metres of PVC insulated 4 core screened cable type 7-1-4C.

Excitation + = Red, Excitation - = Blue, Signal + = Yellow, Signal - = Green, Screen = Orange.

Reverse the signal connections to obtain a positive signal in tension mode. The screen is not connected to the loadcell body.