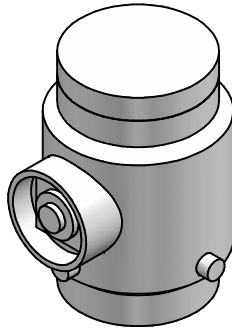
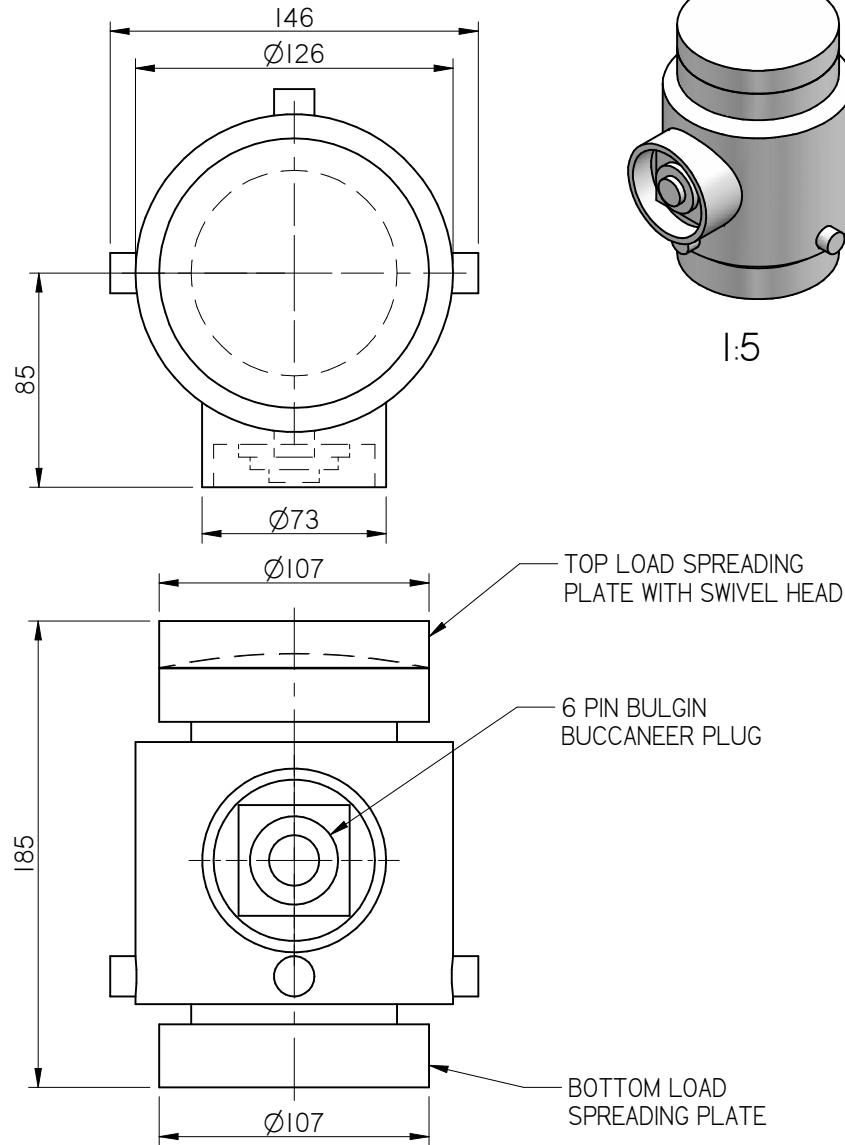
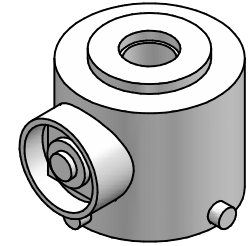
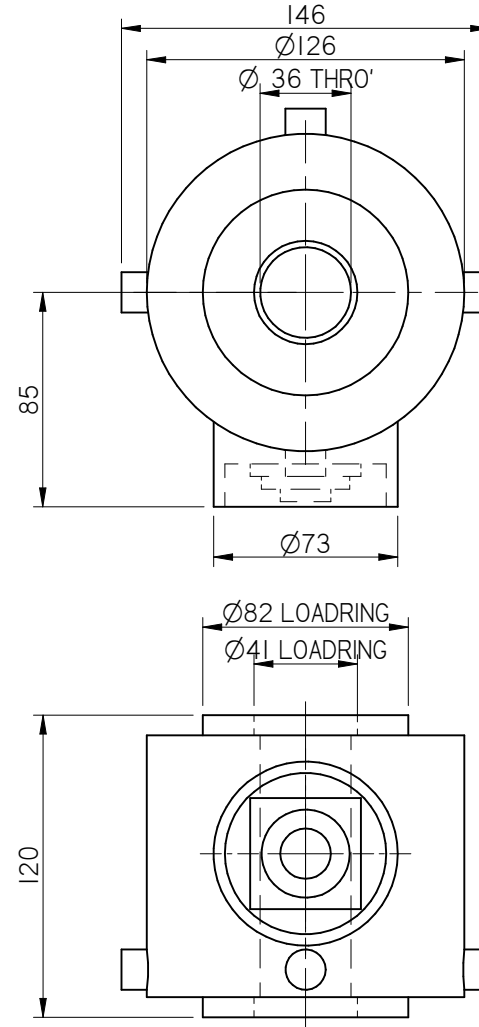


### LOADCELL WITH FITTINGS



1:5

### LOADCELL WITHOUT FITTINGS



1:5

	GJP	-	16-08-06	-	1
	DRN	CHK	DATE	C/N No.	ISS

COPYRIGHT/DESIGN RIGHT IN THIS DRAWING IS OWNED BY NOVATECH MEASUREMENTS LTD

IF IN DOUBT, ASK!

DO NOT SCALE

3RD ANGLE PROJECTION

# Novatech

Loadcell Design & Manufacture

83 Castleham Road, St-Leonards-on-Sea, East Sussex, TN38 9NT, England  
 Tel: +44 (0) 1424 852744 Fax: +44 (0) 1424 853002  
 email: info@novatechloadcells.co.uk

#### TOLERANCES

UNLESS OTHERWISE STATED  
 W/OUT DECIMAL (18) ±0.3  
 ONE DECIMAL (18.0) ±0.1  
 TWO DECIMALS (18.00) ±0.05  
 ANGULAR ±1°

#### GENERAL NOTES

CORNERS TO BE CHAMFERED  
 0.3x45° UNLESS OTHERWISE STATED  
 DIMENSIONS IN MILLIMETRES (mm)  
 REMOVE ALL SHARP EDGES

MATERIAL **STAINLESS STEEL**

SCALE 1:3 DRN GJP CHK -

ACTIVE AREA - GENERAL FINISH  $\nabla 1.6$

TITLE **500kN / 50 TONNE OUTLINE**

DRG No. **F203-Z3450-01**