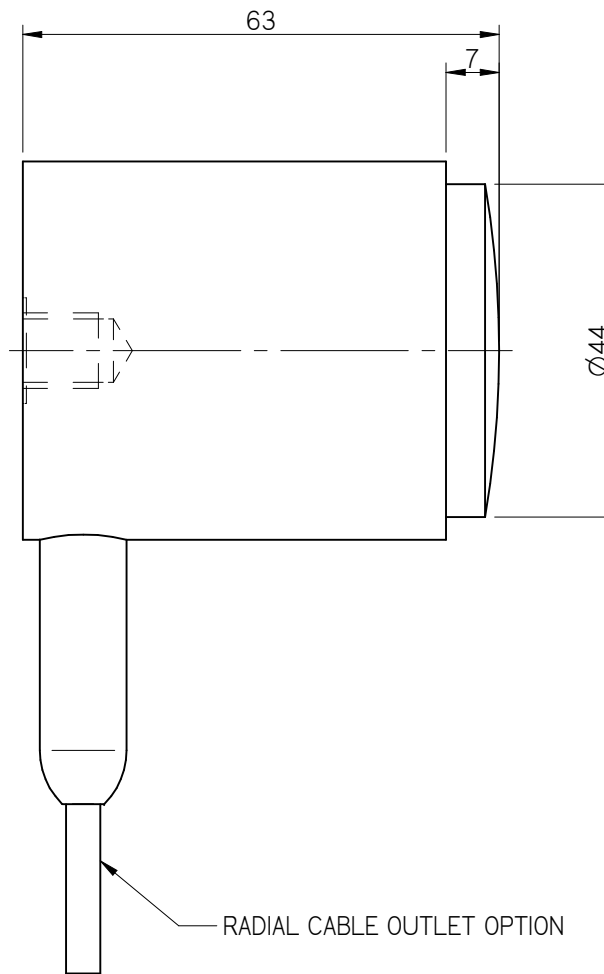
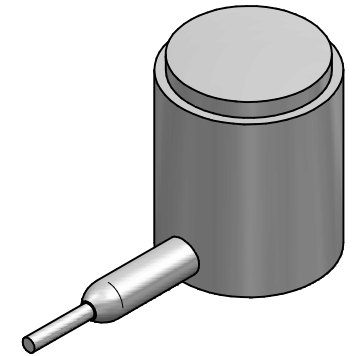


M10x1.5 x 10 DEEP
TYP 2 PLACES



RADIAL CABLE OUTLET OPTION



1:2

STANDARD RANGES AVAILABLE IN THIS SIZE: 100kN TO 400kN (10 TONNE TO 40 TONNE)

		GJP	-	24-10-16	-	1
DRN	CHK	DATE	C/N No.	ISS		

COPYRIGHT/DESIGN RIGHT IN THIS DRAWING IS OWNED BY NOVATECH MEASUREMENTS LTD

IF IN DOUBT, ASK!

DO NOT SCALE

3RD ANGLE
PROJECTION

Novatech

Loadcell Design & Manufacture

83 Castleham Road, St-Leonards-on-Sea, East Sussex, TN38 9NT, England
Tel: +44 (0) 1424 852744 Fax: +44 (0) 1424 853002
email: info@novatechloadcells.co.uk

TOLERANCES

UNLESS OTHERWISE STATED
WITHOUT DECIMAL (18) ±0.3
ONE DECIMAL (18.0) ±0.1
TWO DECIMALS (18.00) ±0.05
ANGULAR ±1°

GENERAL NOTES

CORNERS TO BE CHAMFERED
0.3x45° UNLESS OTHERWISE STATED
DIMENSIONS IN MILLIMETRES (mm)
REMOVE ALL SHARP EDGES

MATERIAL STAINLESS STEEL

SCALE 1:1 DRN GJP CHK -

ACTIVE AREA - GENERAL FINISH 1.6

TITLE F218 RADIAL CABLE OUTLINE

DRG No. **F218-HIRE-01**