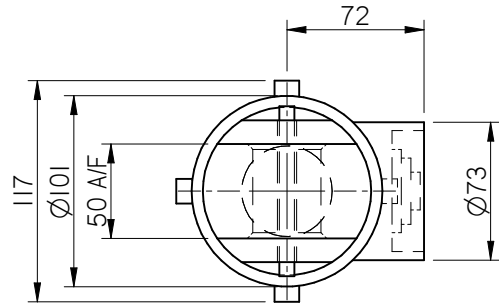
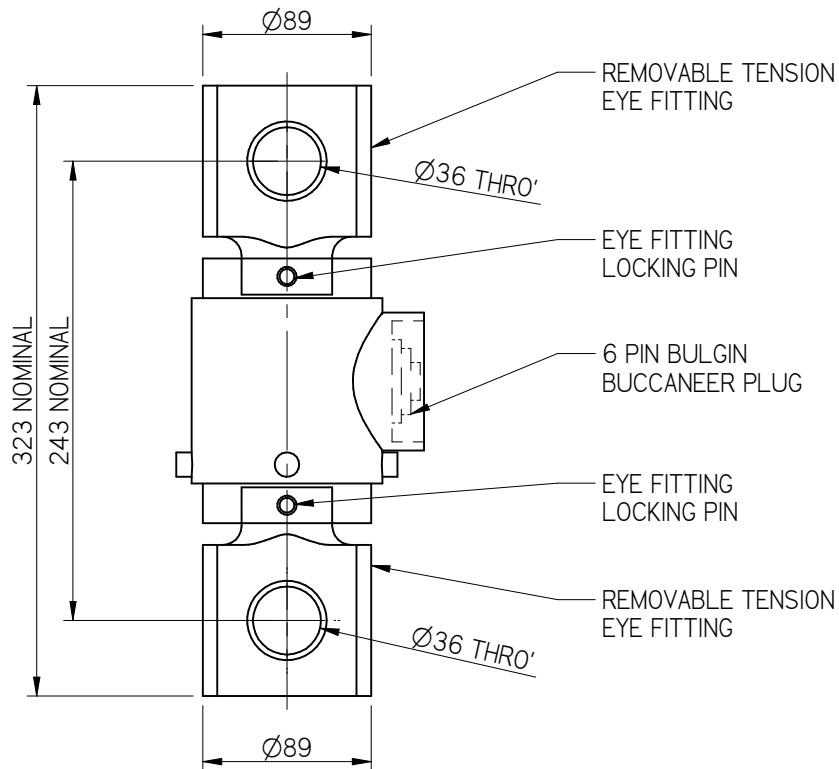


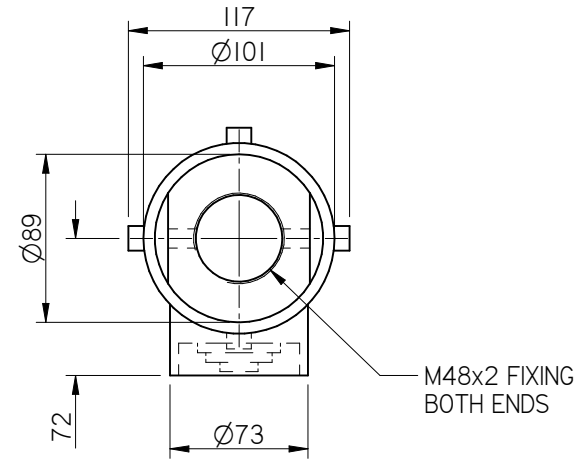
LOADCELL WITH FITTINGS



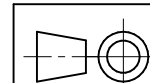
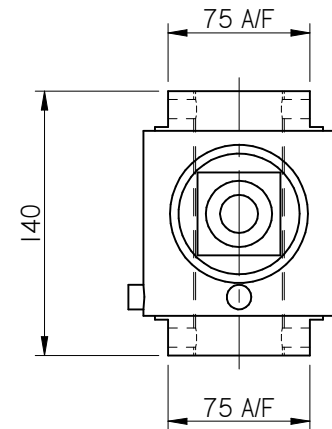
1:10



LOADCELL WITHOUT FITTINGS



1:10



3RD ANGLE PROJECTION

GJP	-	16-08-06	-	1
DRN	CHK	DATE	C/N No.	ISS

COPYRIGHT/DESIGN RIGHT IN THIS DRAWING IS OWNED BY NOVATECH MEASUREMENTS LTD

IF IN DOUBT, ASK!

DO NOT SCALE

Novatech

Loadcell Design & Manufacture

83 Castleham Road, St-Leonards-on-Sea, East Sussex, TN38 9NT, England
Tel: +44 (0) 1424 852744 Fax: +44 (0) 1424 853002
email: info@novatechloadcells.co.uk

TOLERANCES

UNLESS OTHERWISE STATED
W/OUT DECIMAL (18) ±0.3
ONE DECIMAL (18.0) ±0.1
TWO DECIMALS (18.00) ±0.05
ANGULAR ±1°

GENERAL NOTES

CORNERS TO BE CHAMFERED 0.3x45° UNLESS OTHERWISE STATED
DIMENSIONS IN MILLIMETRES (mm)
REMOVE ALL SHARP EDGES

MATERIAL **STAINLESS STEEL**

SCALE 1:4 DRN GJP CHK -

ACTIVE AREA - GENERAL FINISH

TITLE **100kN / 10 TONNE OUTLINE**

DRG No.

F204-Z3452-01