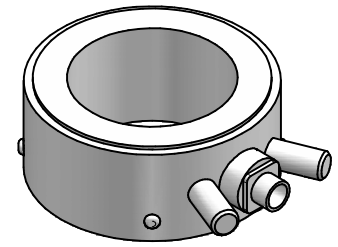
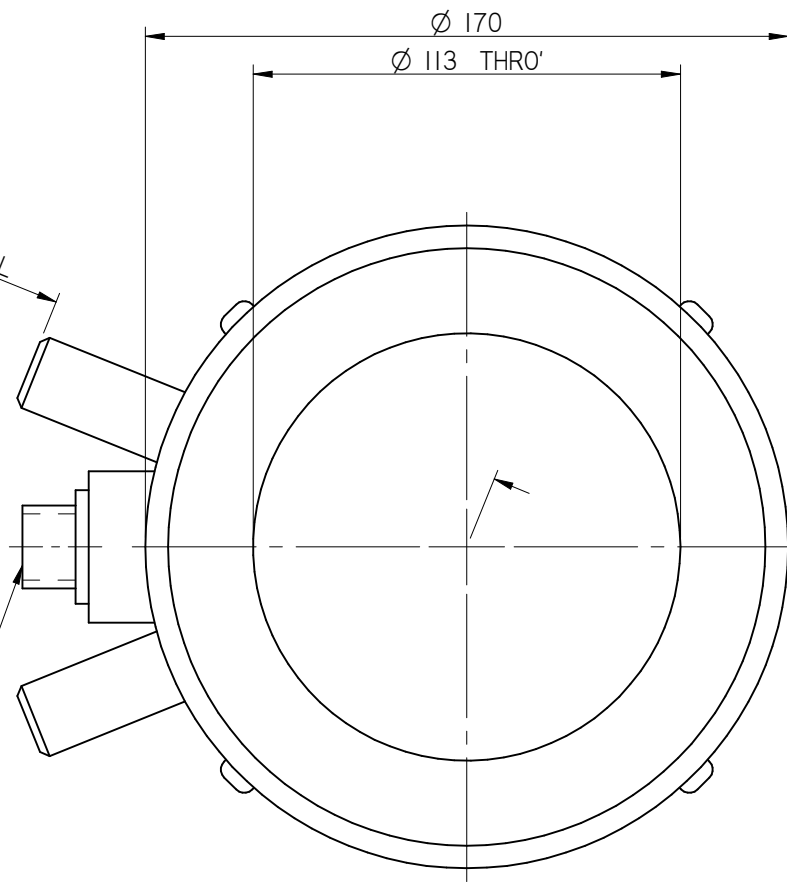


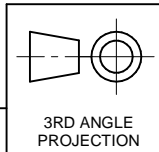
Ø 158 LOADING

6 PIN MS PLUG

125 NOMINAL



1:5



GJP	-	19-01-11	-	1
DRN	CHK	DATE	C/N No.	ISS

COPYRIGHT/DESIGN RIGHT IN THIS DRAWING IS OWNED BY NOVATECH MEASUREMENTS LTD

IF IN DOUBT, ASK!

DO NOT SCALE

Novatech
 Loadcell Design & Manufacture
 83 Castleham Road, St-Leonards-on-Sea, East Sussex, TN38 9NT, England
 Tel: +44 (0) 1424 852744 Fax: +44 (0) 1424 853002
 email: info@novatechloadcells.co.uk

TOLERANCES
 UNLESS OTHERWISE STATED

W/OUT DECIMAL	(18)	±0.3
ONE DECIMAL	(18.0)	±0.1
TWO DECIMALS	(18.00)	±0.05
ANGULAR		±1°

GENERAL NOTES

CORNERS TO BE CHAMFERED
 0.3x45° UNLESS OTHERWISE STATED

DIMENSIONS IN MILLIMETRES (mm)

REMOVE ALL SHARP EDGES

MATERIAL STAINLESS STEEL			
SCALE	1:2	DRN	GJP
ACTIVE AREA	-	CHK	-
		GENERAL FINISH ∇ 1.6	

TITLE	2000kN / 200 TONNE OUTLINE		
DRG No.	F209-Z3985-01		