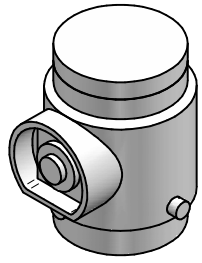
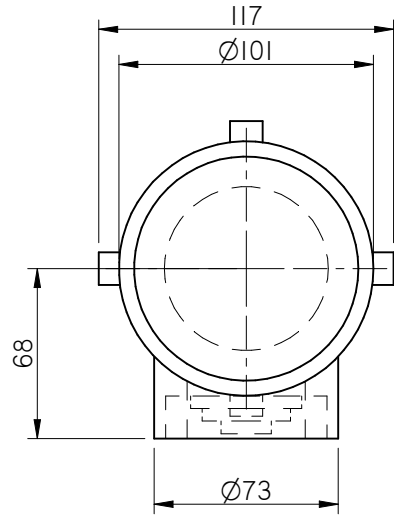
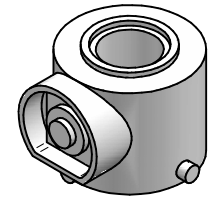
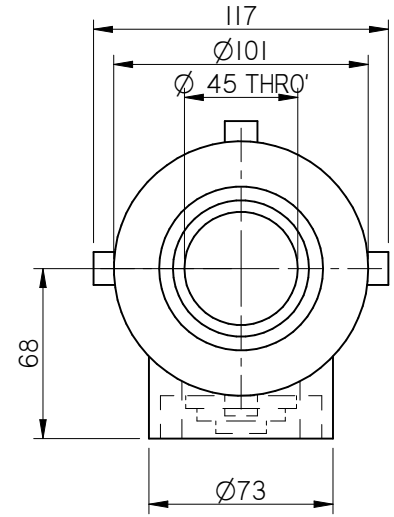


LOADCELL WITH FITTINGS

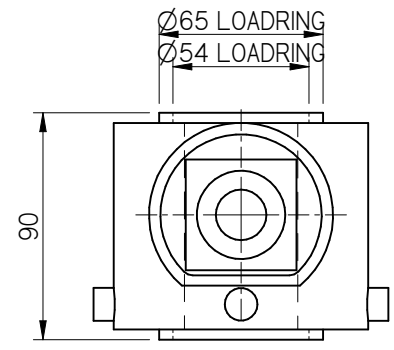
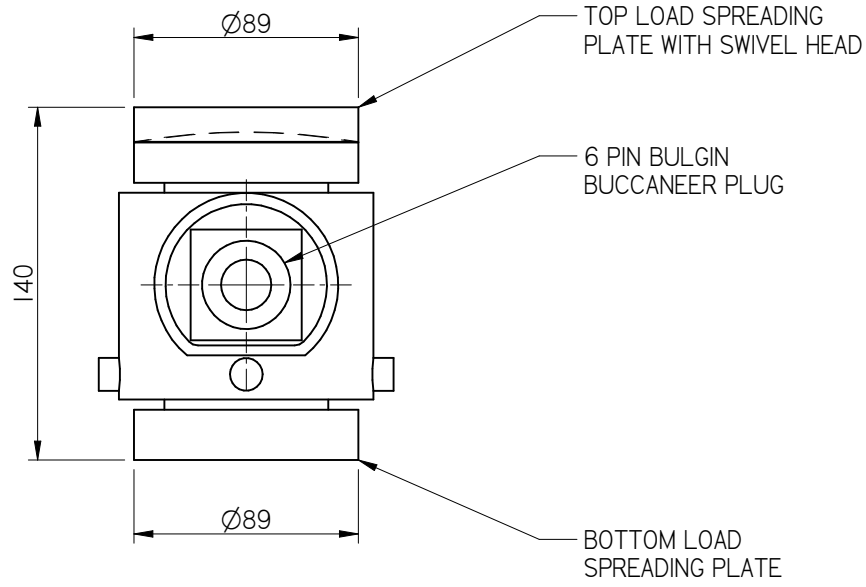


1:5

LOADCELL WITHOUT FITTINGS



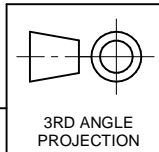
1:5



COPYRIGHT/DESIGN RIGHT IN THIS DRAWING IS OWNED BY NOVATECH MEASUREMENTS LTD

IF IN DOUBT, ASK!

DO NOT SCALE



|     |     |          |         |     |
|-----|-----|----------|---------|-----|
| GJP | -   | 16-08-06 | -       | 1   |
| DRN | CHK | DATE     | C/N No. | ISS |

**Novatech**  
 Loadcell Design & Manufacture  
 83 Castleham Road, St-Leonards-on-Sea, East Sussex, TN38 9NT, England  
 Tel: +44 (0) 1424 852744 Fax: +44 (0) 1424 853002  
 email: info@novatechloadcells.co.uk

**TOLERANCES**

UNLESS OTHERWISE STATED

|              |         |       |
|--------------|---------|-------|
| W/O DECIMAL  | (18)    | ±0.3  |
| ONE DECIMAL  | (18.0)  | ±0.1  |
| TWO DECIMALS | (18.00) | ±0.05 |
| ANGULAR      |         | ±1°   |

**GENERAL NOTES**

CORNERS TO BE CHAMFERED  
 0.3x45° UNLESS OTHERWISE STATED

DIMENSIONS IN MILLIMETRES (mm)

REMOVE ALL SHARP EDGES

|                    |                 |                |       |
|--------------------|-----------------|----------------|-------|
| <b>MATERIAL</b>    | STAINLESS STEEL |                |       |
| <b>SCALE</b>       | 1:3             | DRN            | GJP   |
| <b>ACTIVE AREA</b> | -               | CHK            | -     |
|                    |                 | GENERAL FINISH | 1.6/▽ |

|                |                          |  |  |
|----------------|--------------------------|--|--|
| <b>TITLE</b>   | 100kN / 10 TONNE OUTLINE |  |  |
| <b>DRG No.</b> | F202-Z3449-01            |  |  |