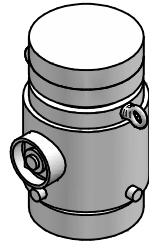
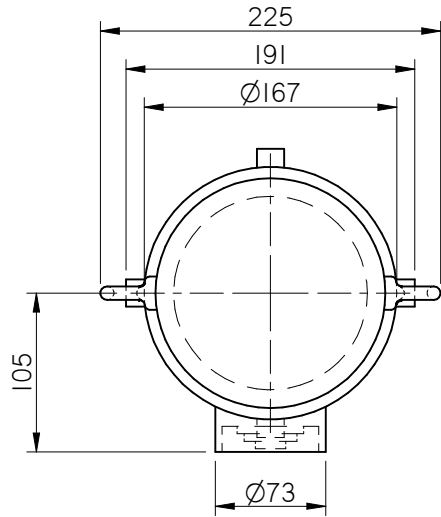
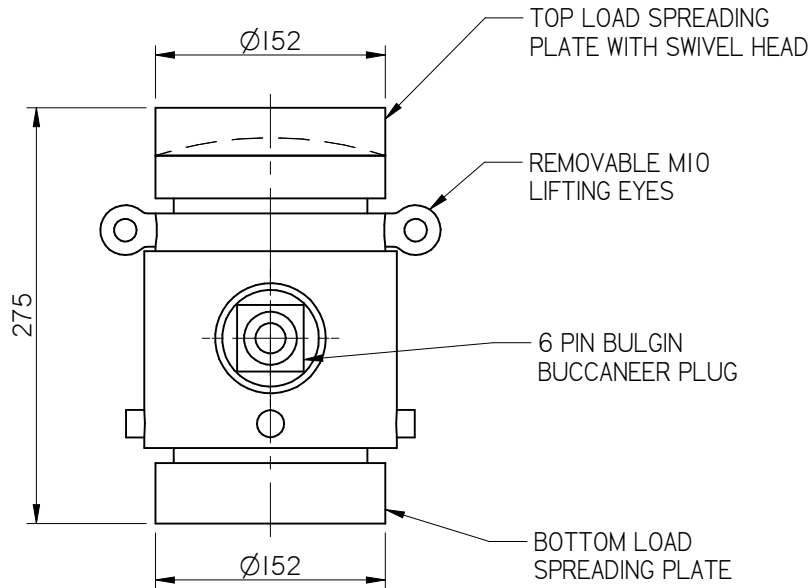


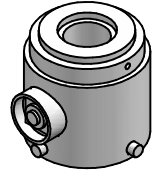
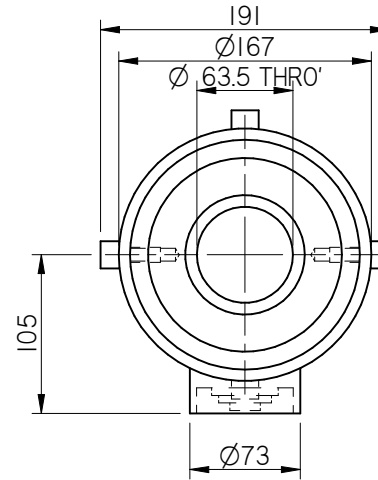
LOADCELL WITH FITTINGS



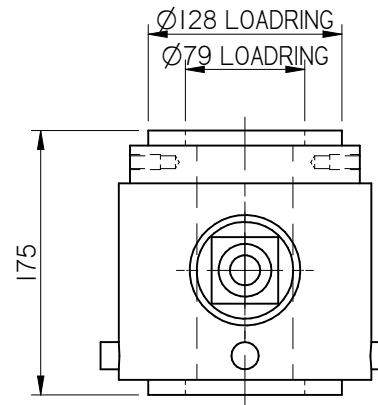
1:10



LOADCELL WITHOUT FITTINGS



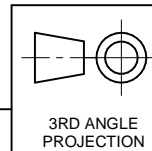
1:10



COPYRIGHT/DESIGN RIGHT IN THIS DRAWING IS OWNED BY NOVATECH MEASUREMENTS LTD

IF IN DOUBT, ASK!

DO NOT SCALE



GJP	-	16-08-06	-	1
DRN	CHK	DATE	C/N No.	ISS

Novatech

Loadcell Design & Manufacture

83 Castleham Road, St-Leonards-on-Sea, East Sussex, TN38 9NT, England
Tel: +44 (0) 1424 852744 Fax: +44 (0) 1424 853002
email: info@novatechloadcells.co.uk

TOLERANCES

UNLESS OTHERWISE STATED
W/O OUT DECIMAL (18) ±0.3
ONE DECIMAL (18.0) ±0.1
TWO DECIMALS (18.00) ±0.05
ANGULAR ±1°

GENERAL NOTES

CORNERS TO BE CHAMFERED
0.3x45° UNLESS OTHERWISE STATED
DIMENSIONS IN MILLIMETRES (mm)
REMOVE ALL SHARP EDGES

MATERIAL **STAINLESS STEEL**

SCALE 1:5 DRN GJP CHK -

ACTIVE AREA - GENERAL FINISH 1.6

TITLE **1000kN / 100 TONNE OUTLINE**

DRG No. **F205-Z3451-01**